

Contents:

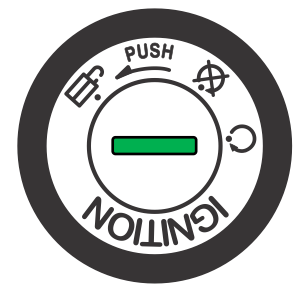
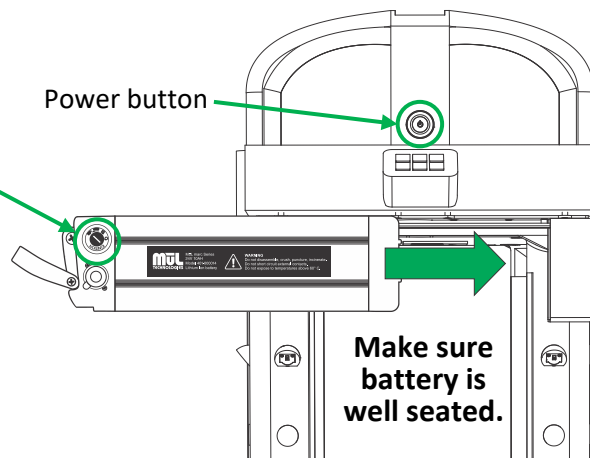
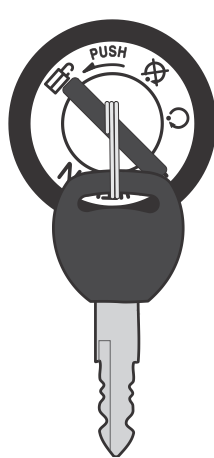
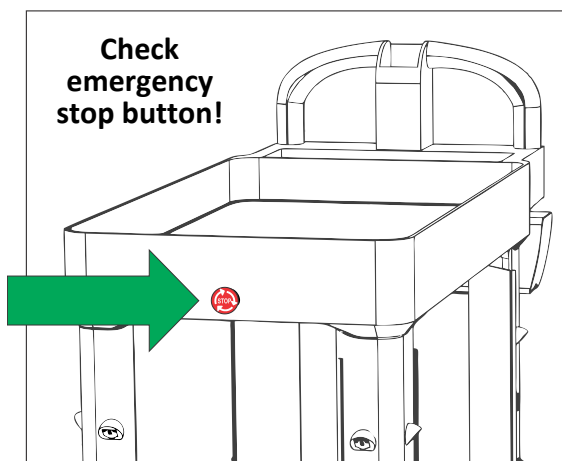
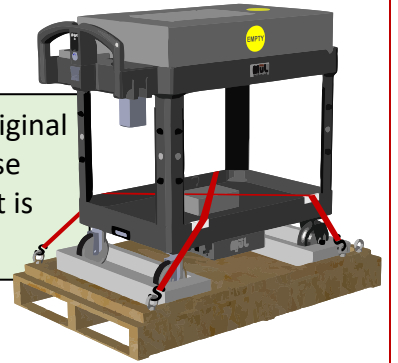
- MARC 3470 or 3475
- 1 10Ah battery (Value models)
- 2 20Ah batteries (Premium models)
- Battery keys (packed with batteries)
- Battery charger
- User's Guide
- Quick Start Guide (this placard)



1 Verify emergency stop button is not activated (pressed in). Rotate the button clockwise to reset.

Insert battery by sliding onto rails and pushing until **fully seated**. Insert key into battery and turn to "On" position. Press the Power button on the handle above the EZ-Go Navigation panel. LEDs will be yellow while booting - wait approximately 2-3 minutes for unit to complete booting – until "Cart ready" is heard and LEDs begin pulsing green.

Please retain original packaging in case future shipment is desired.

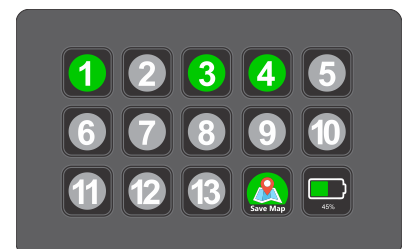
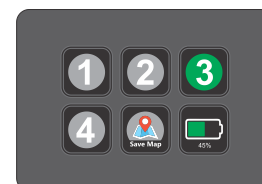


Turn battery key and verify it is in the ON position.

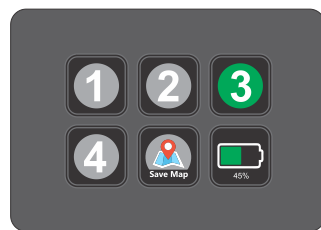
2 Program your first locations.

Note that you may have a 15-button EZ-Go Navigation panel (Premium models) or a 6-button EZ-Go Navigation panel (Value models). Instructions use the 6-button, but the programming process is the same for both variations.

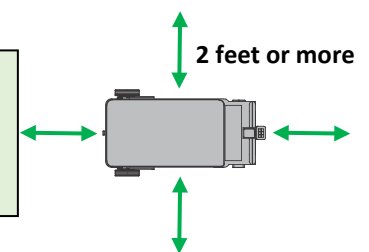
6-button or 15-button EZ-Go



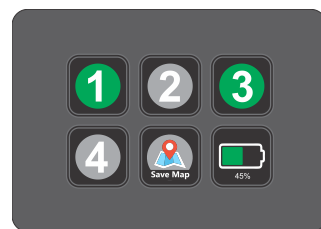
Press and hold any un-programmed station button (grey) for 3 seconds until you hear the double-beep sound. Station button will turn green, indicating programming completed.



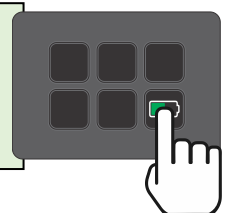
TIP: For best results, program destinations more than 2 feet from any stationary objects.



Manually move the cart to the next location you wish to program. Press and hold any un-programmed station button (grey) for 3 seconds until you hear the double-beep sound.



TIP: If you don't see station icons on your screen, press the battery level button to return to programmable location buttons.



That's it! You have programmed MARC and can put him to work. Press the location button for each programmed key (in our example 1 and 3) and MARC will travel to the destination programmed for that button.

For more detailed instructions for using MARC 3 Series in Active Map Mode and Fixed Map Mode, please refer to the User Guide.



Please read the included User's Guide for important instructions and intended use information to use your product safely! Use QR code to access in documentation.

