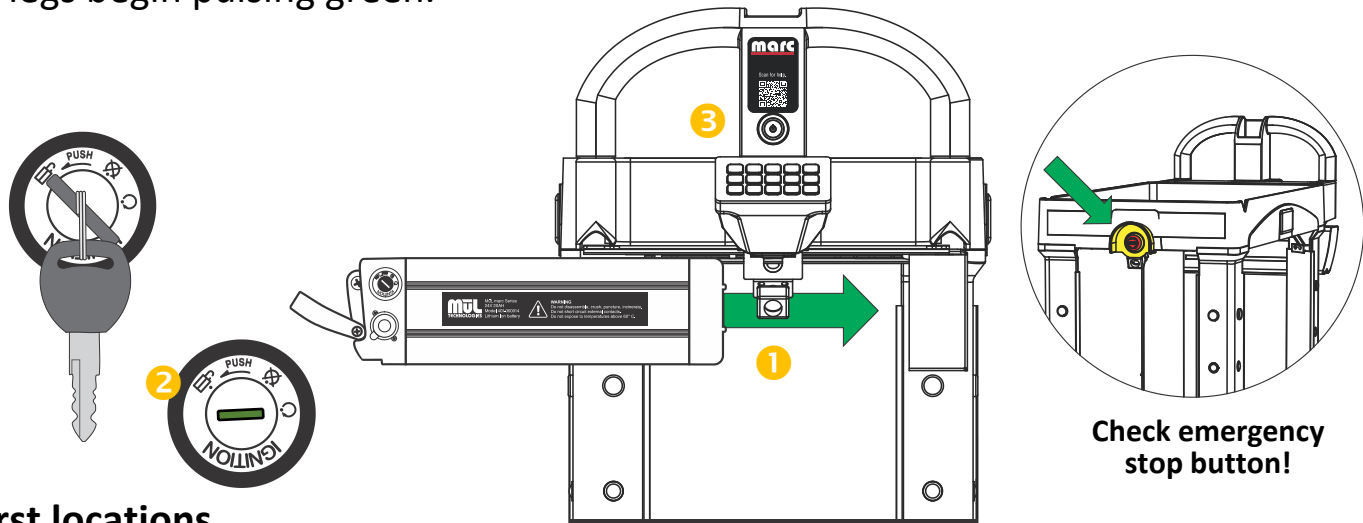


**Contents:**

- MARC cart
- Lithium-ion battery pack (packed separate)
- Battery keys (packed with battery)
- Battery charger
- USB-C to LAN cable kit
- User's Guide
- Quick Start Guide (this placard)



**1 Verify emergency stop button is not activated (pressed in). Rotate the button clockwise to reset.** Insert battery by sliding onto rails and pushing until **fully seated**. Insert key into battery and turn to "On" position. Press the Power button on the handle above the EZ-Go Navigation panel. LEDs will be yellow while booting – wait up to 1 minute for unit to complete booting – until "Cart ready" is heard and status LEDs on the cart legs begin pulsing green.

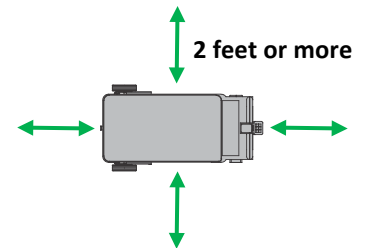


**2 Program your first locations.**

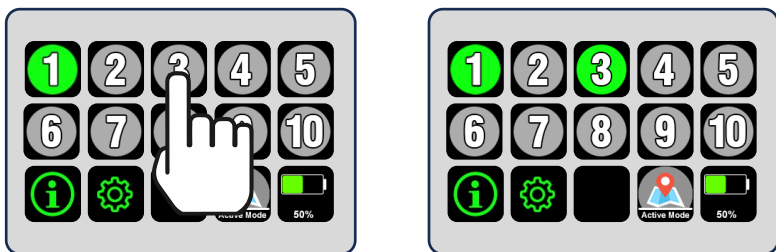
Press and hold any un-programmed station button (grey) for 3 seconds until you hear the double-beep sound. Station button (in this example, 1) will turn green, indicating programming completed.



**TIP: For best results, program destinations more than 2 feet from any stationary objects.**



Manually move the cart to the next location you wish to program. Press and hold any un-programmed station button (in this example 3) for 3 seconds until you hear the double-beep confirmation sound.

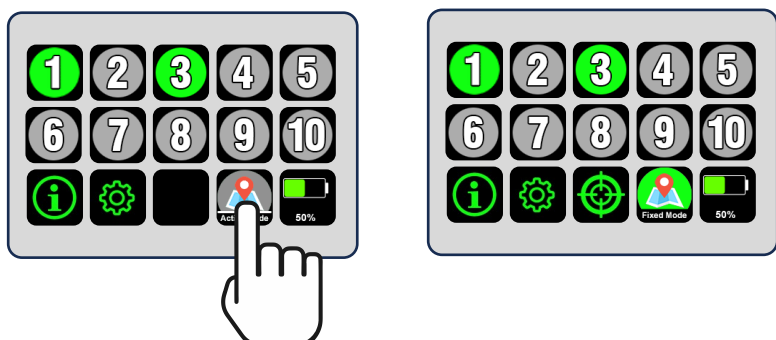


**TIP: If you see the second screen, press the battery level button to return to the first screen with station buttons 1-10.**



**3 Saved your map to keep your programming.**

All programming is done in Active Mapping Mode (no saved map). All programming is erased when cart is powered down. To keep all programming intact, move to Fixed Map mode by pressing the Map button for 3 seconds till you hear the double-beep confirmation sound. Now, programming will remain during battery changes and reboots, great for use day after day for the same tasks.



**TIP: Performance is enhanced in Fixed Map mode as a result of the methodology MARC uses for map updating.**

